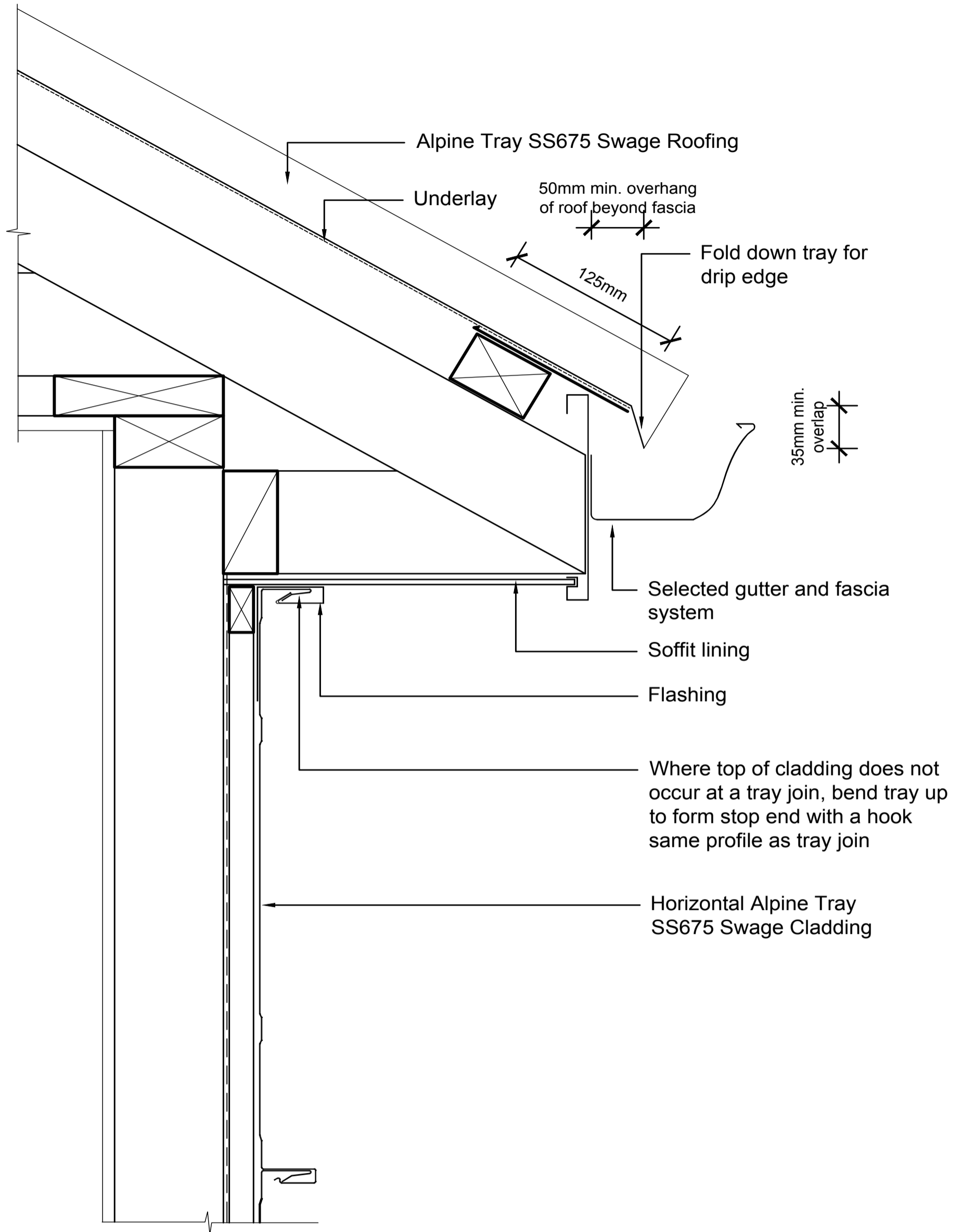
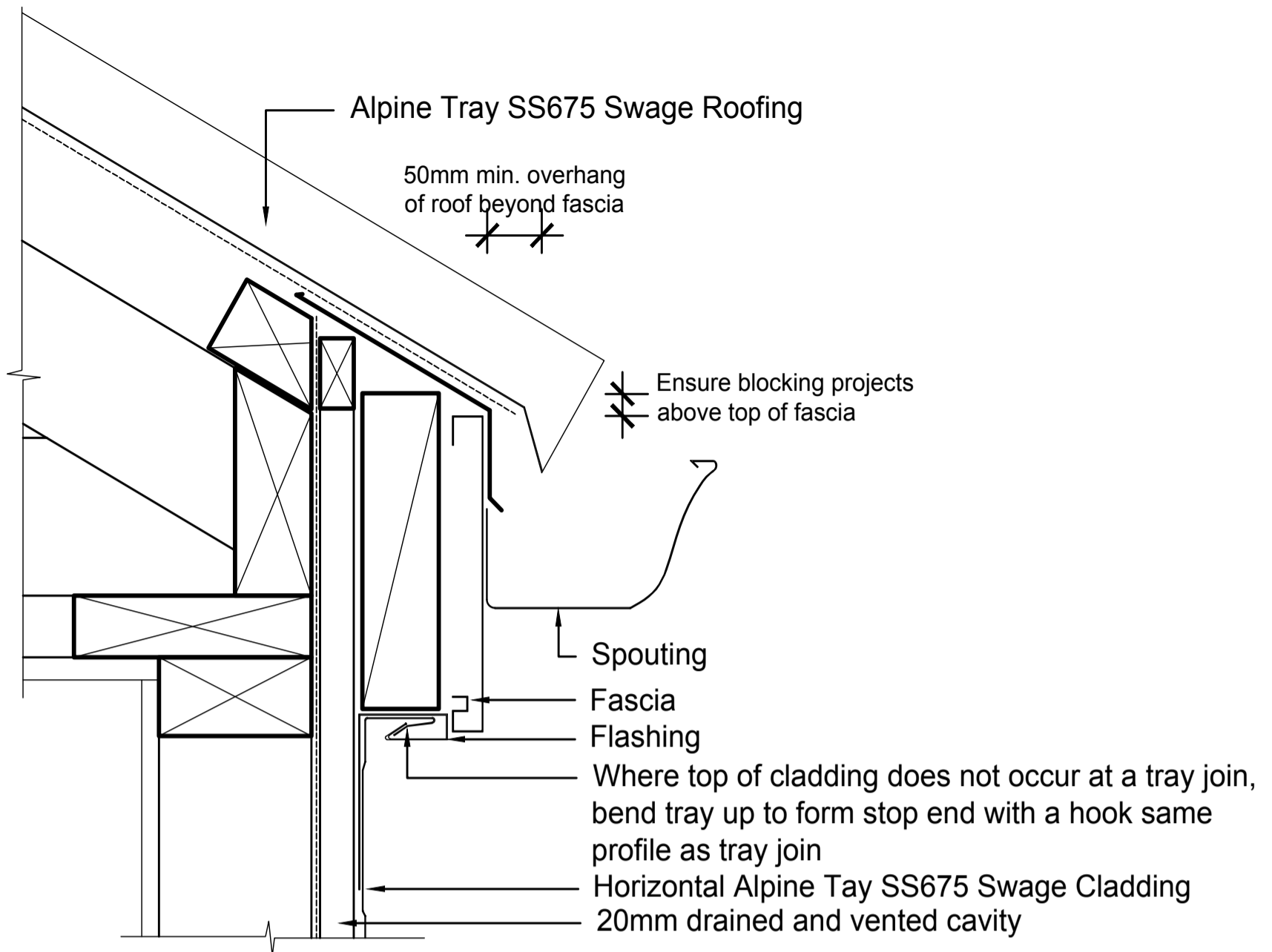


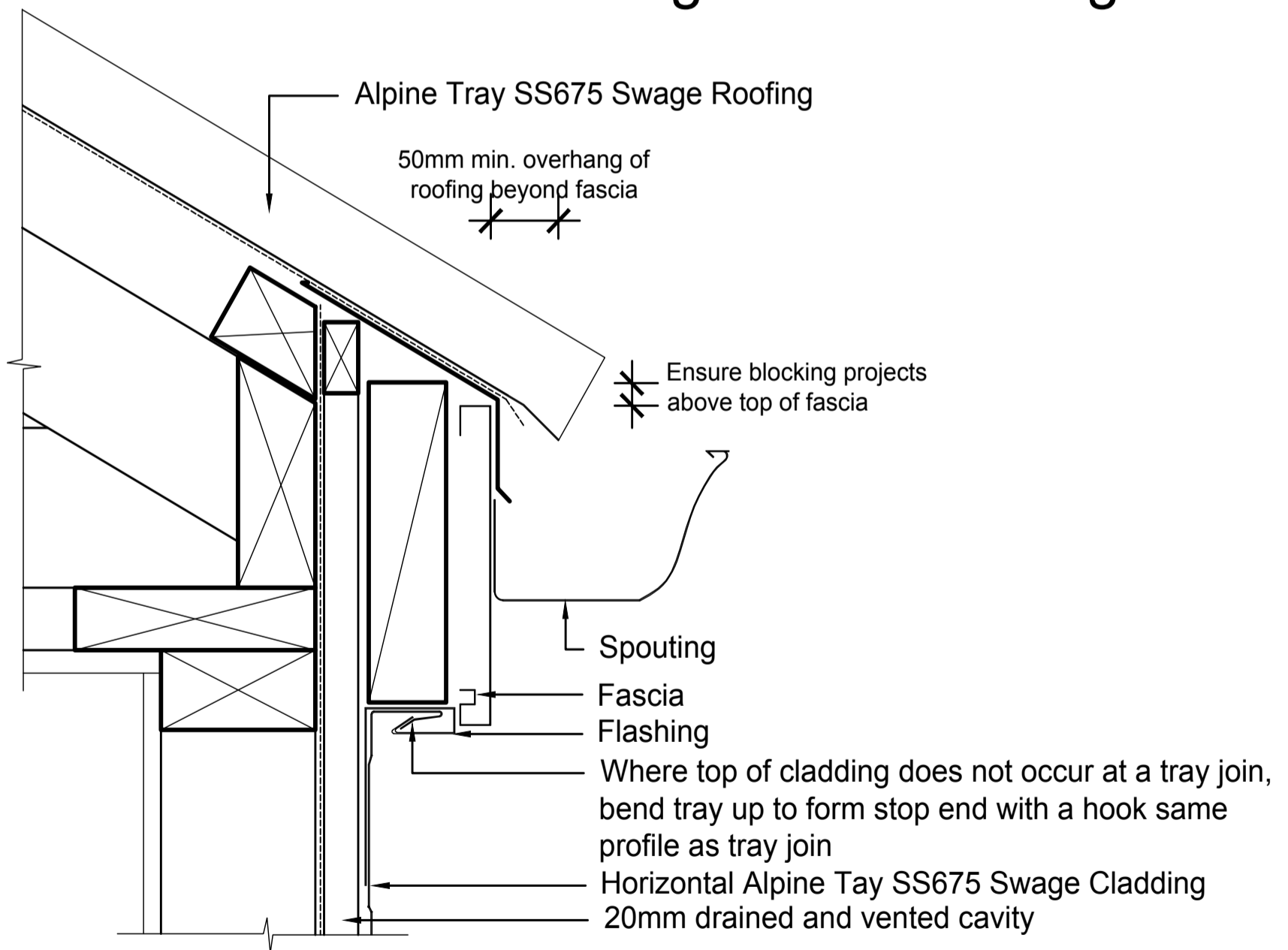
Alpine Tray - Horizontal SS675 Parallel Apron



Alpine Tray - Horizontal SS675 Eave With Soffit

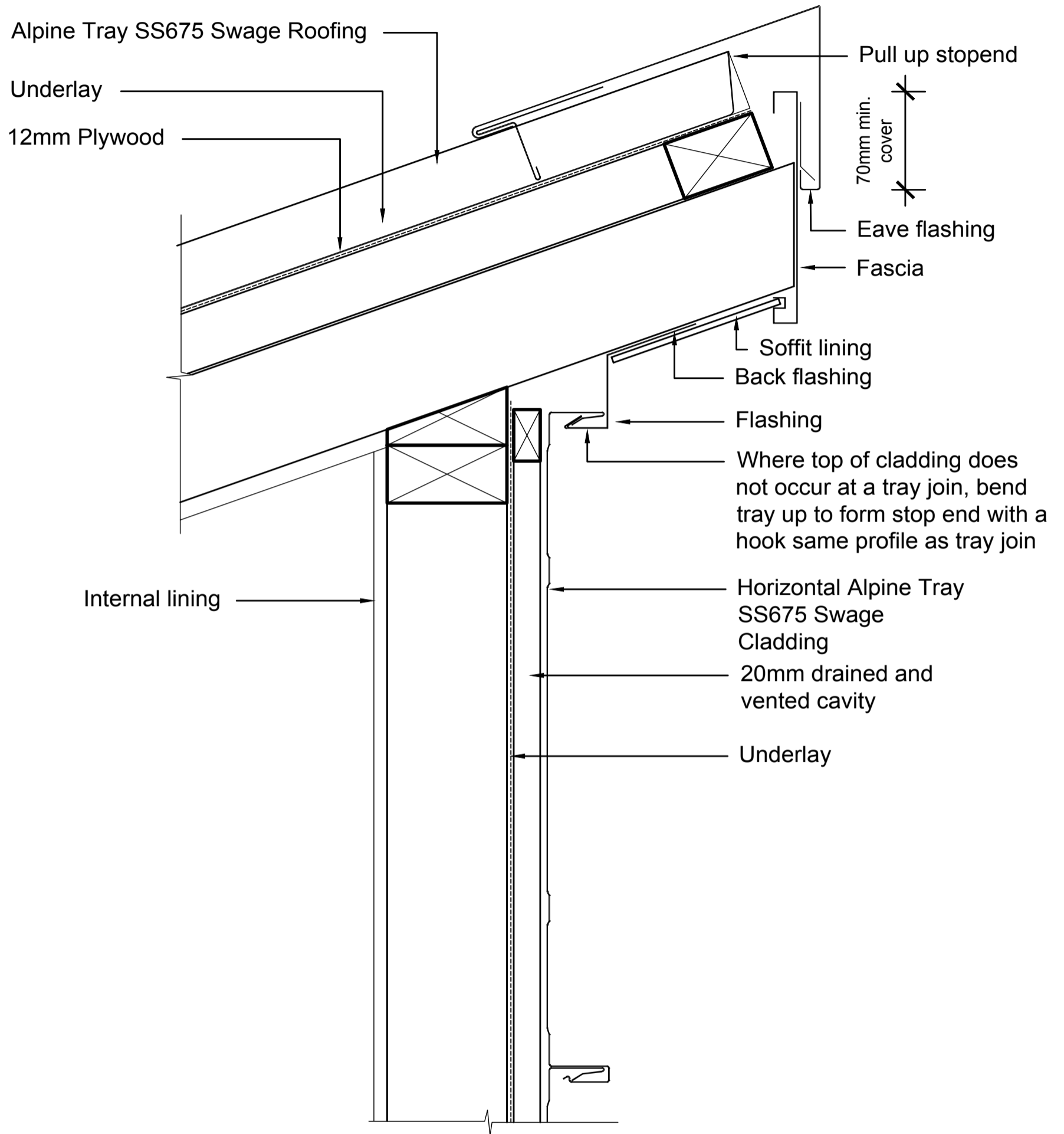


SS675 Swage - Starter 3deg - 25deg

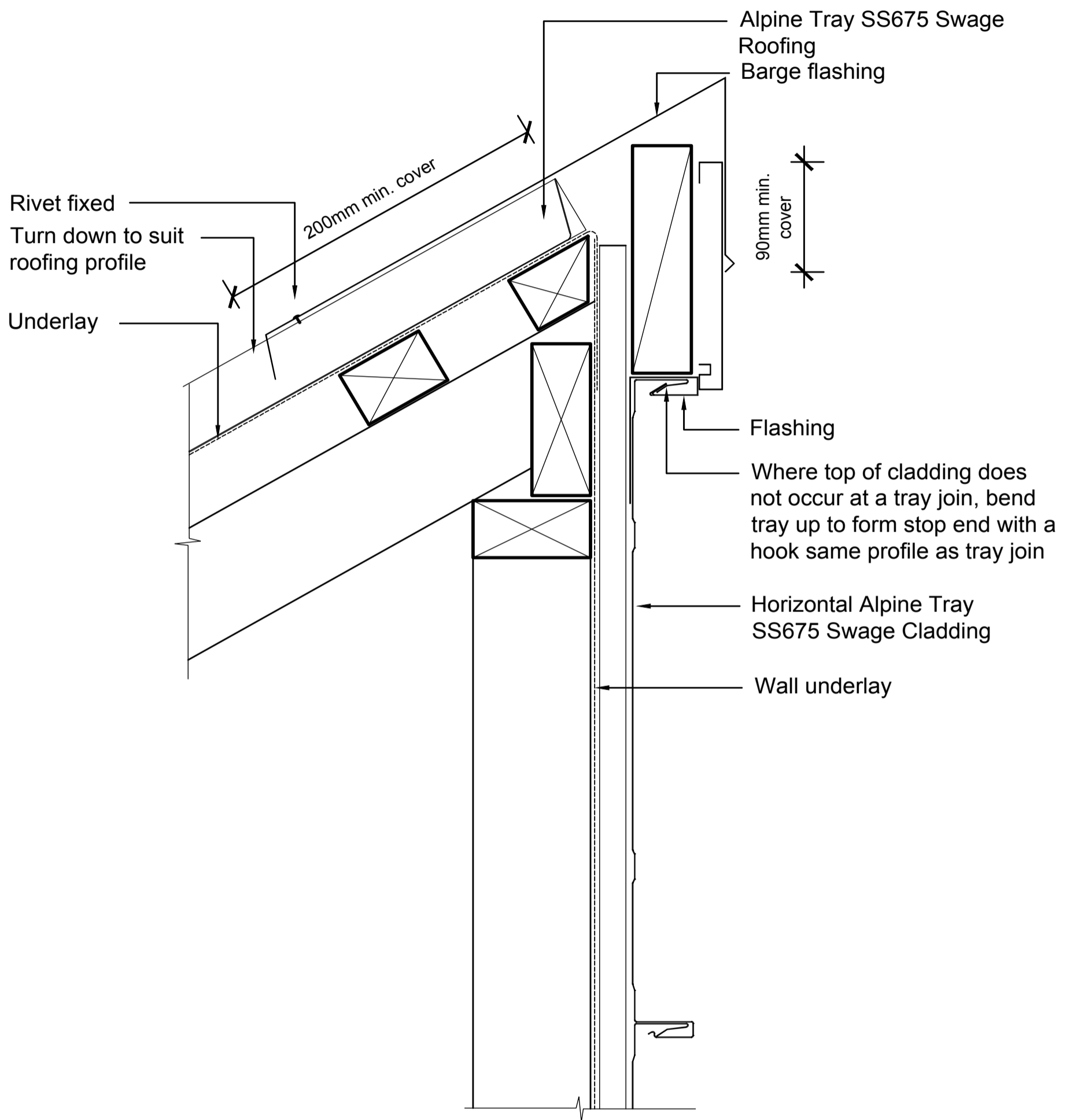


SS675 Swage - Starter 25deg +

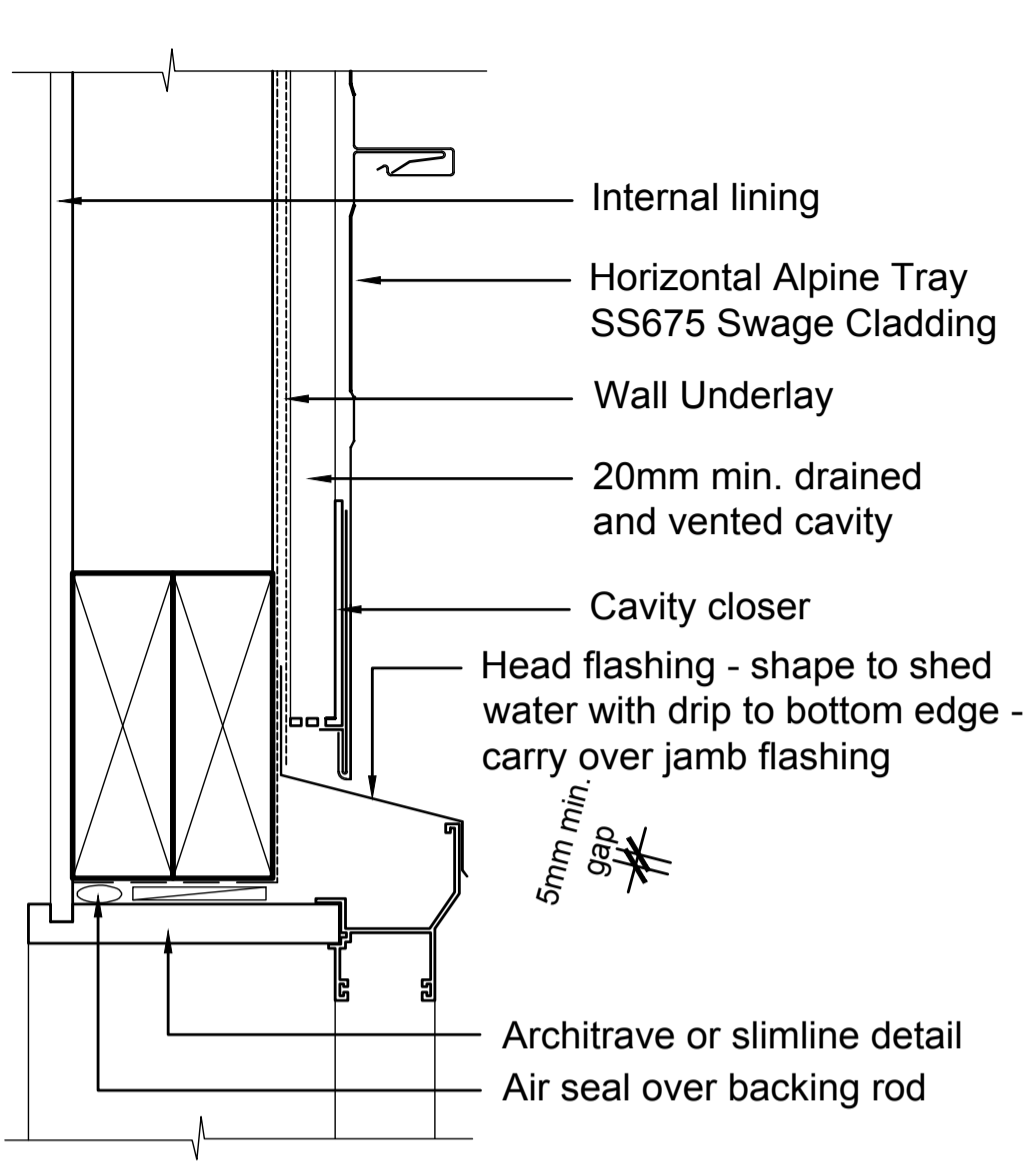
Alpine Tray - Horizontal SS675 Eave No Soffit



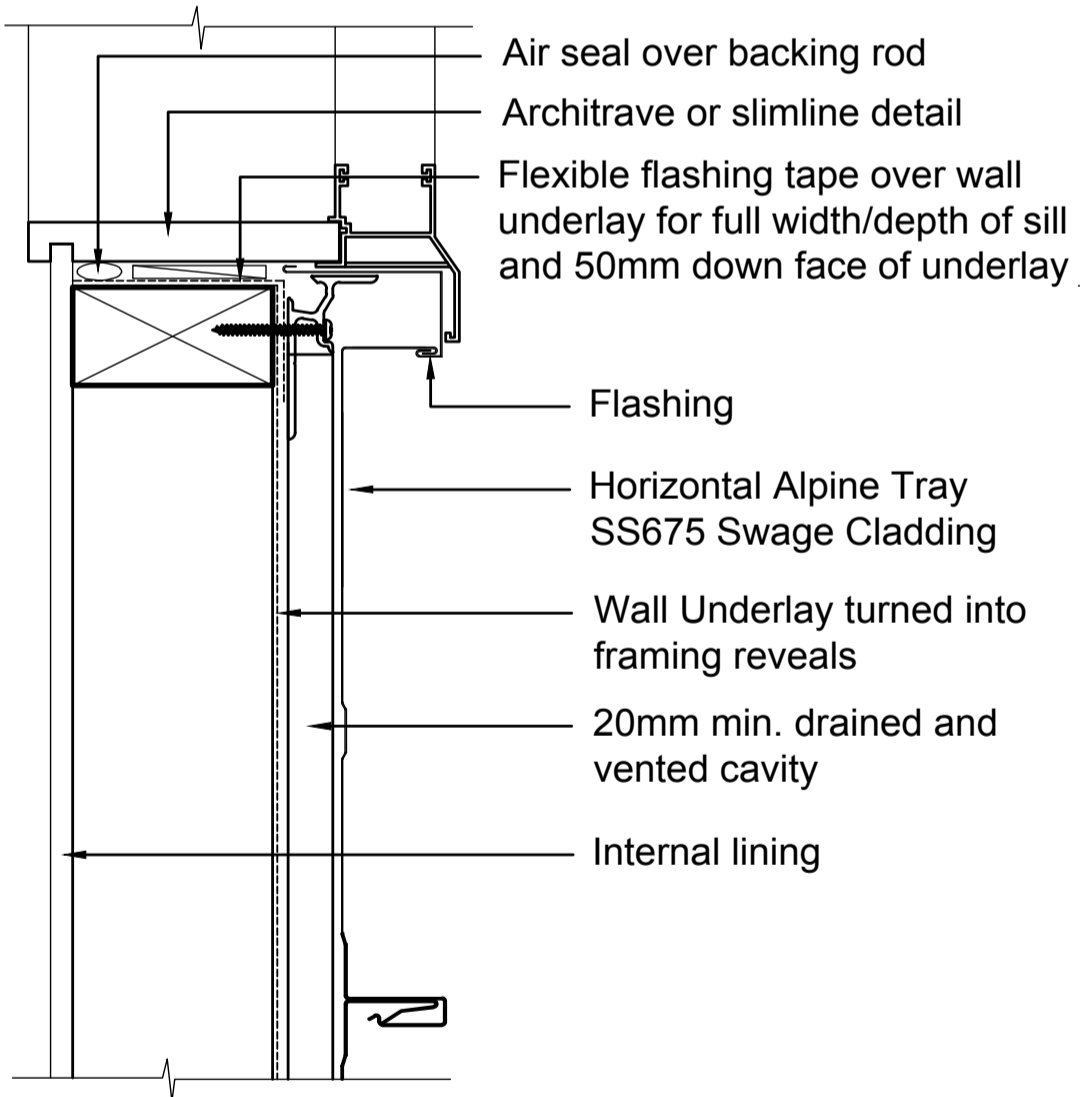
Alpine Tray - Horizontal SS675 Reverse Eave



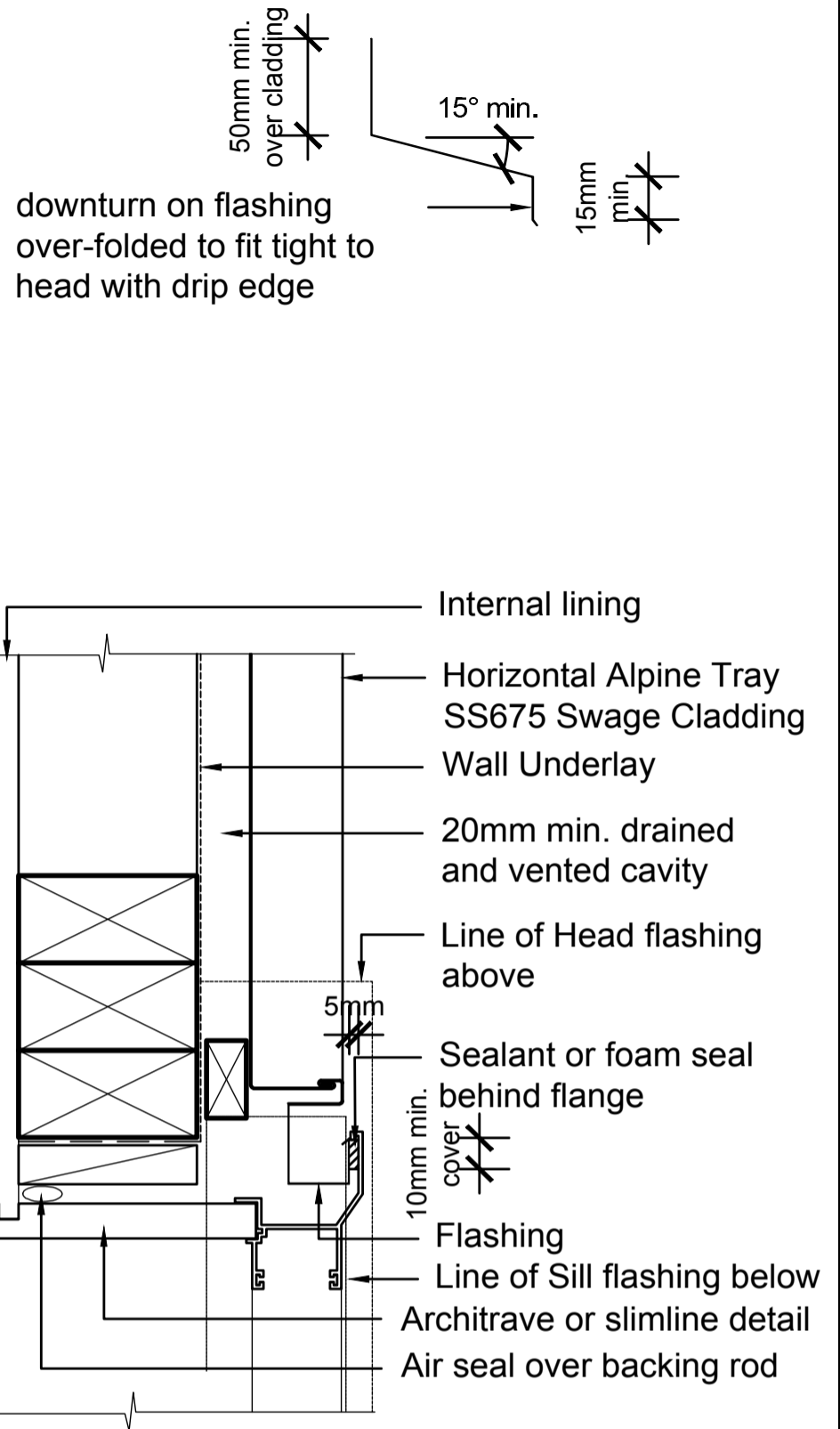
Alpine Tray - Horizontal SS675 Rooftop Wall Ridge



SS675 Head



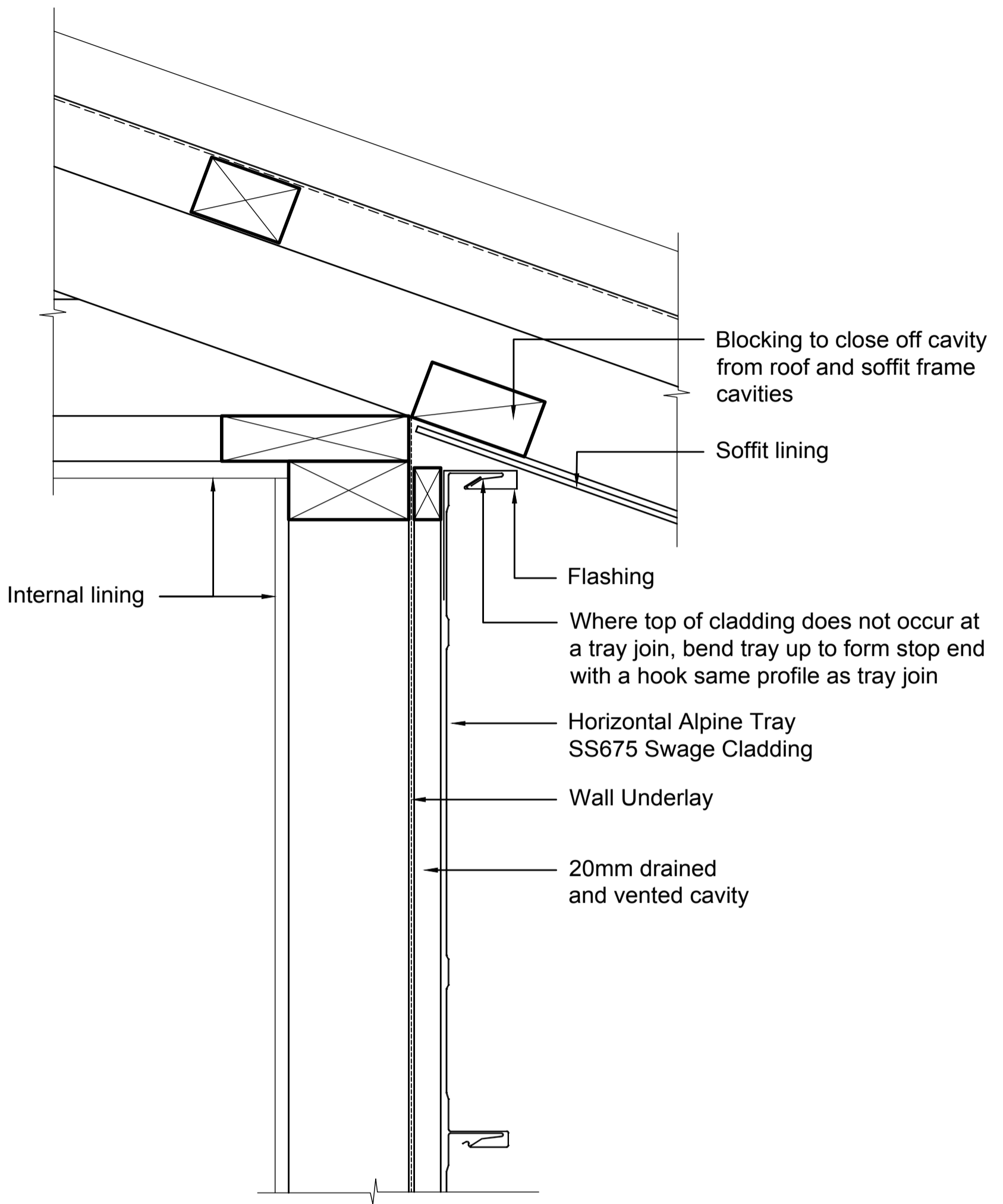
SS675 Sill



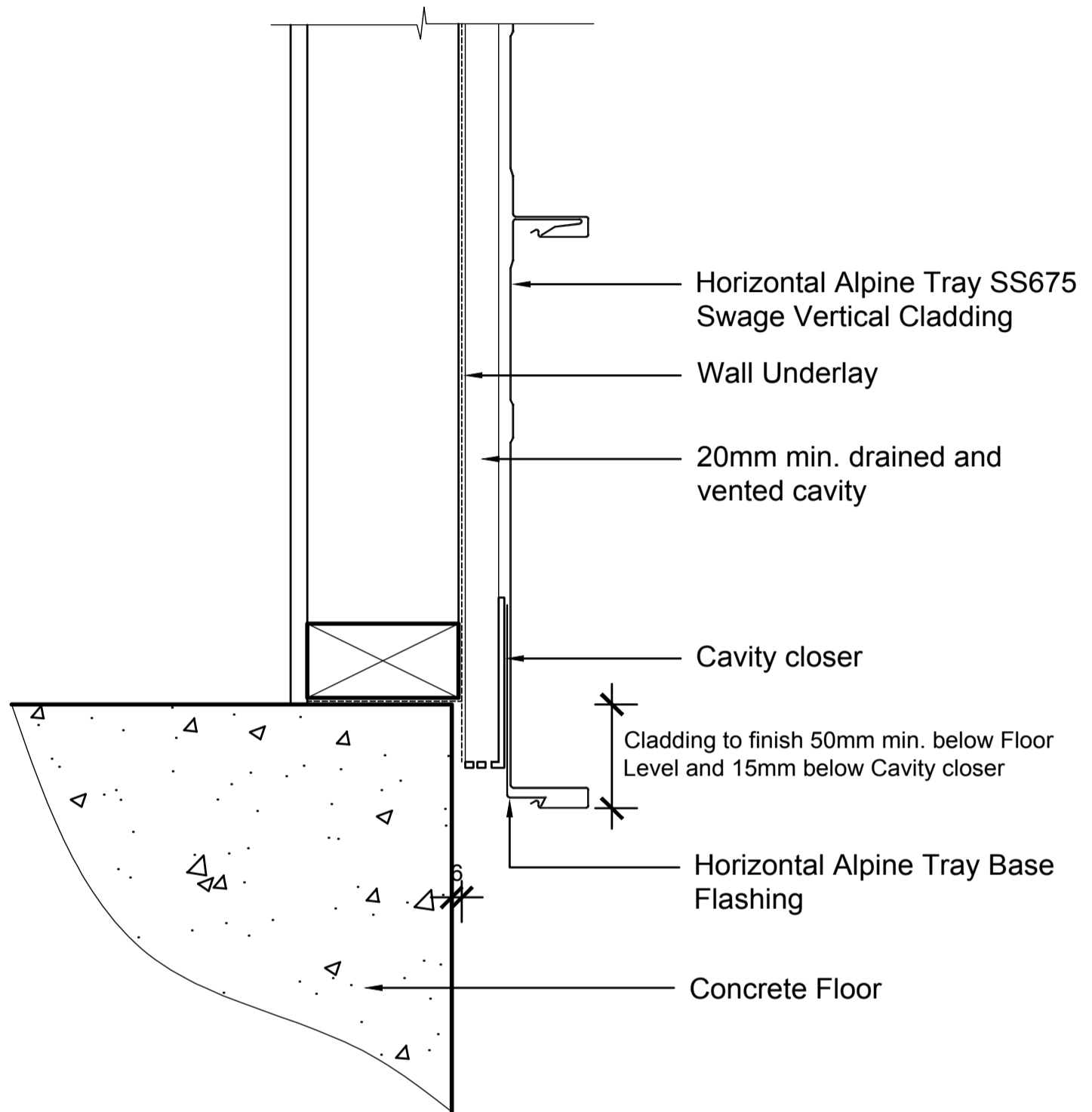
SS675 Jamb

Alpine Tray - Horizontal SS675 Window

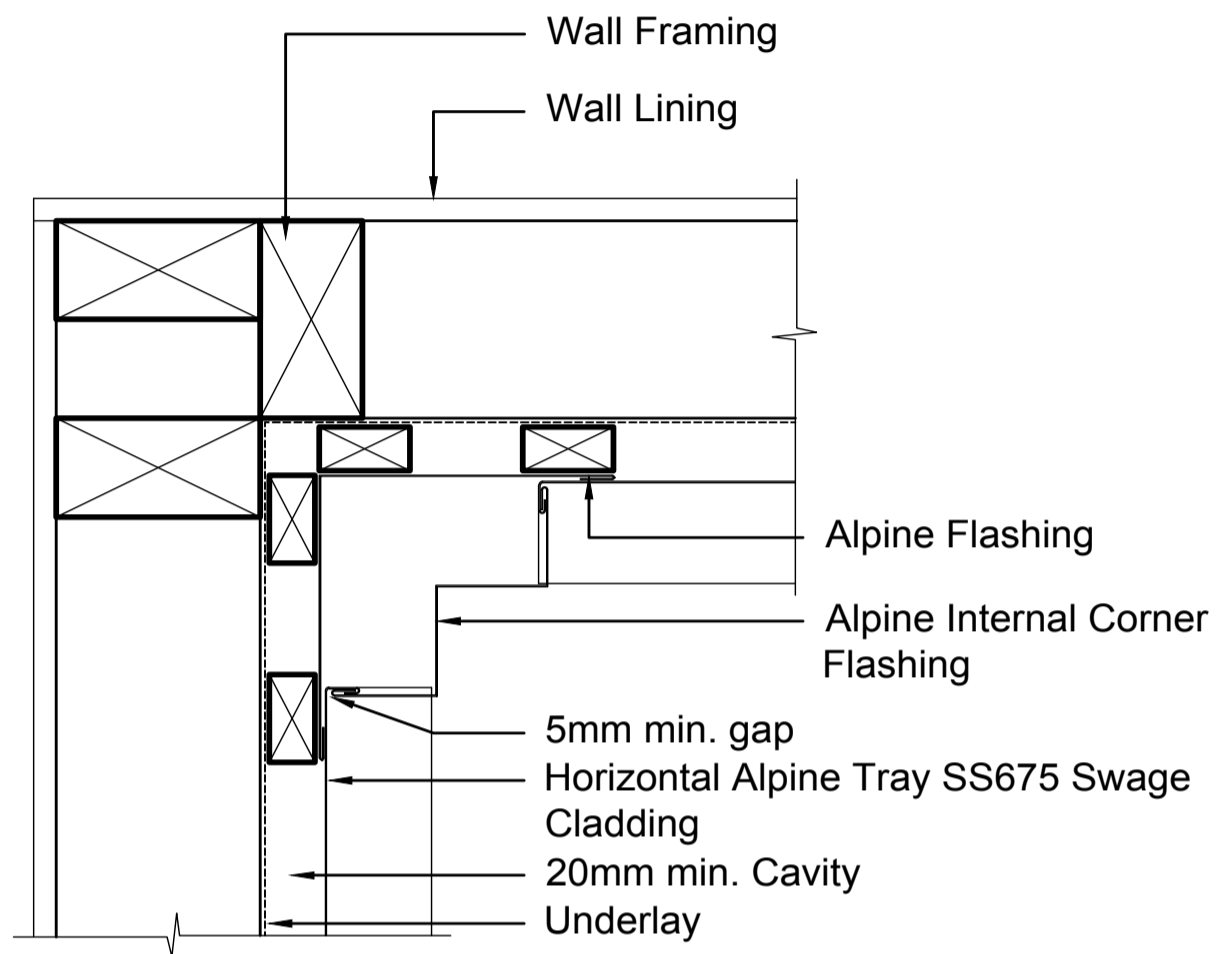
<p>FREEMAN GROUP E.R. FREEMAN LTD www.roofing.co.nz</p>	<p>BROCKELSBY ROOFING PRODUCTS Wellington</p>	<p>FREEMAN ROOFING Nelson</p>	<p>ROOFLINE MARLBOROUGH Blenheim</p>	<p>CANTERBURY LONG RUN ROOFING ASHBURTON Ashburton</p>
	<p>CANTERBURY LONG RUN ROOFING TIMARU Timaru</p>	<p>WANAKA ROOFING Wanaka</p>	<p>QUEENSTOWN ROOFING Queenstown</p>	<p>ROOFING SOLUTIONS Dunedin</p>



Alpine Tray - Horizontal SS675 Top Of Wall



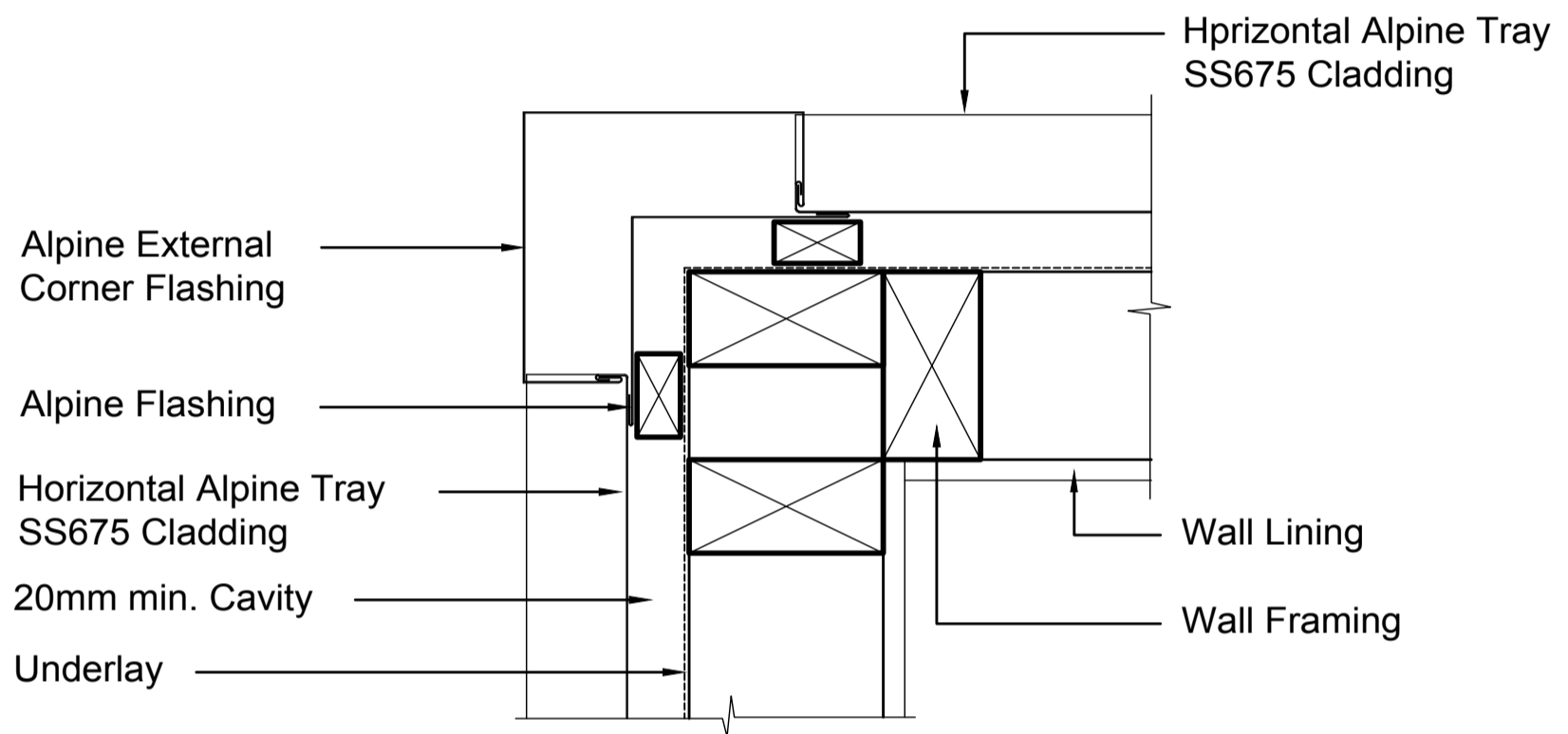
Alpine Tray- Horizontal SS675 Bottom Of Wall



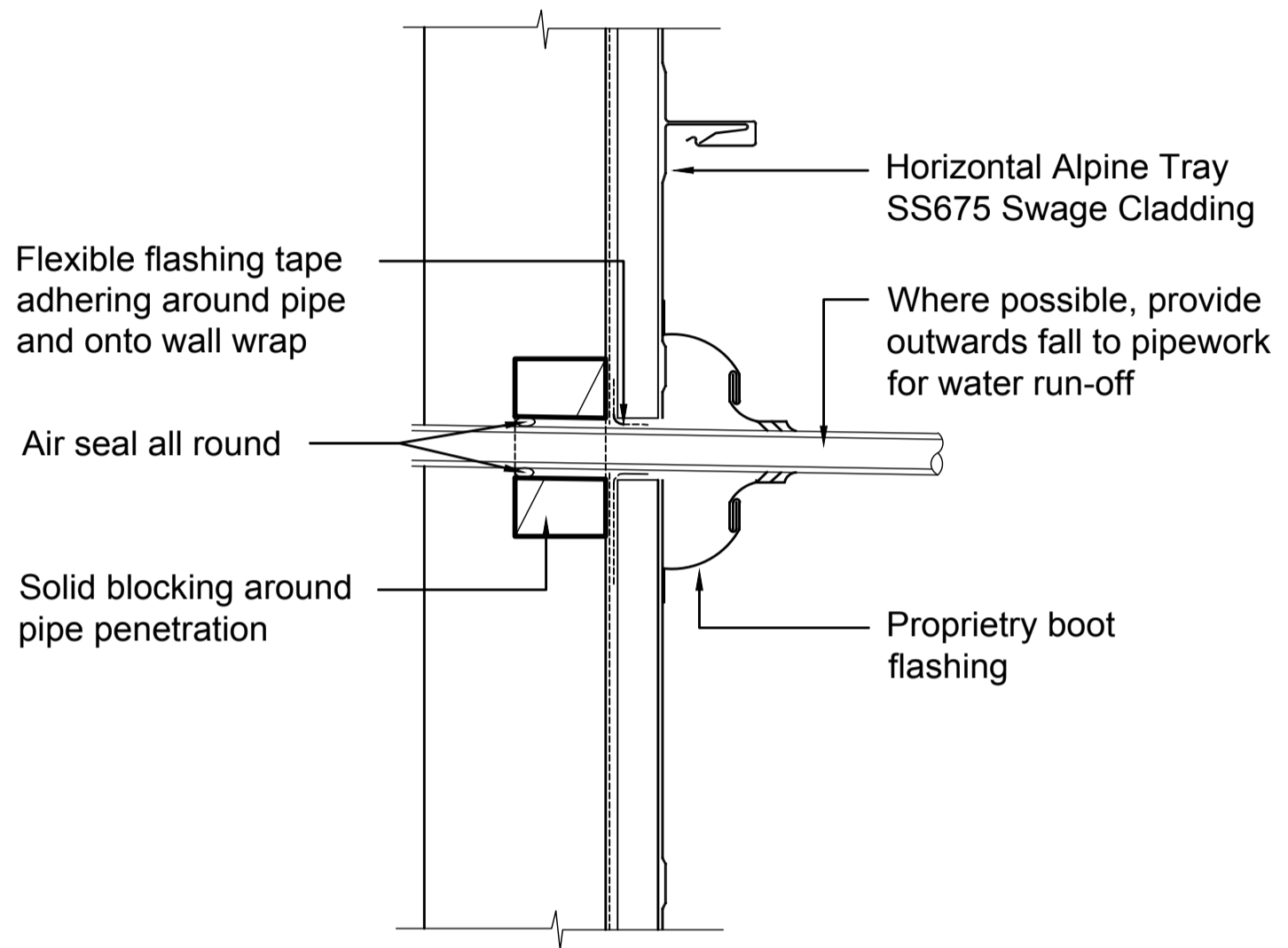
OPTIONS:

- (1) Cavity battens to walls need to be fixed at 45deg
- (2) Honeycomb plastic batten option

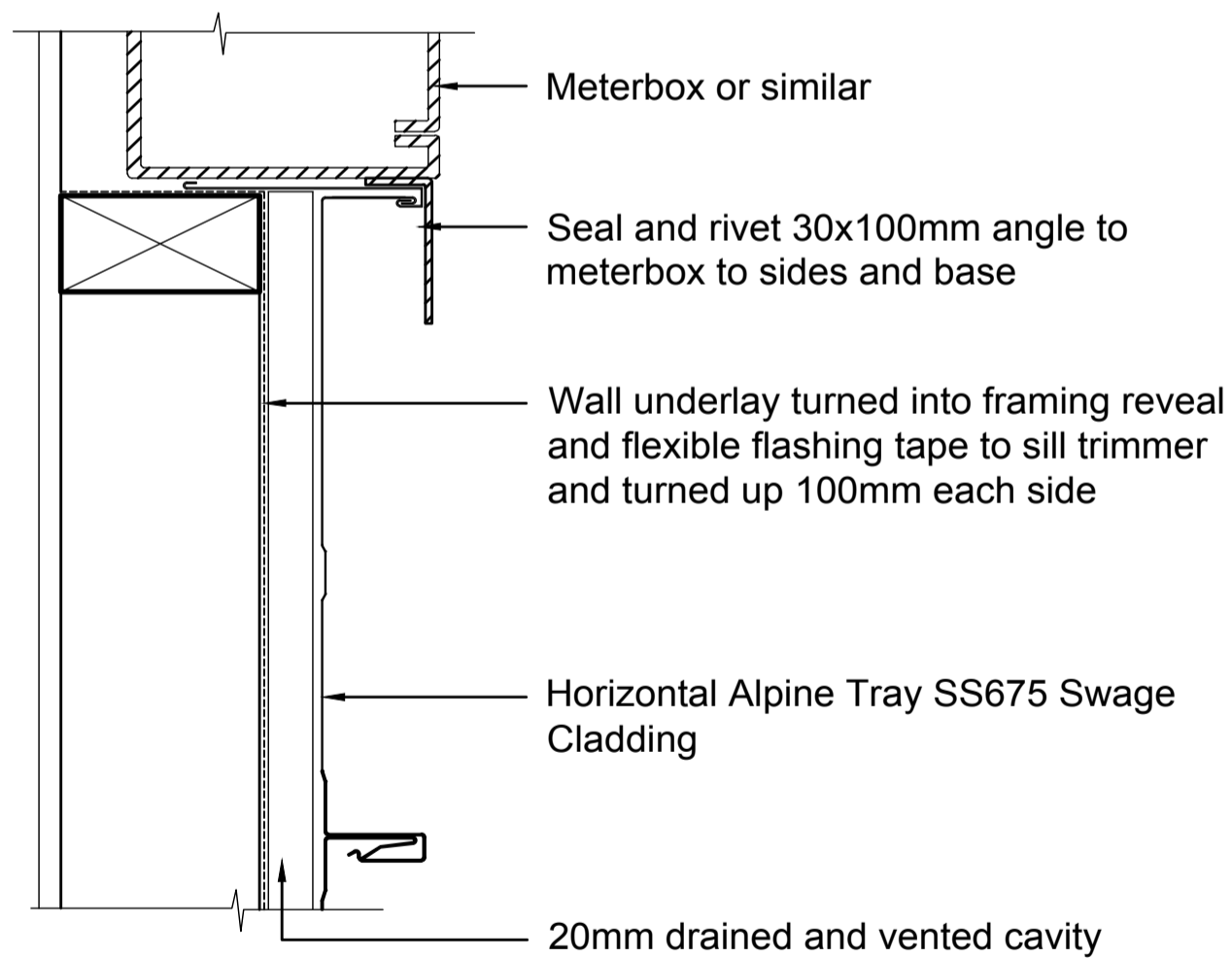
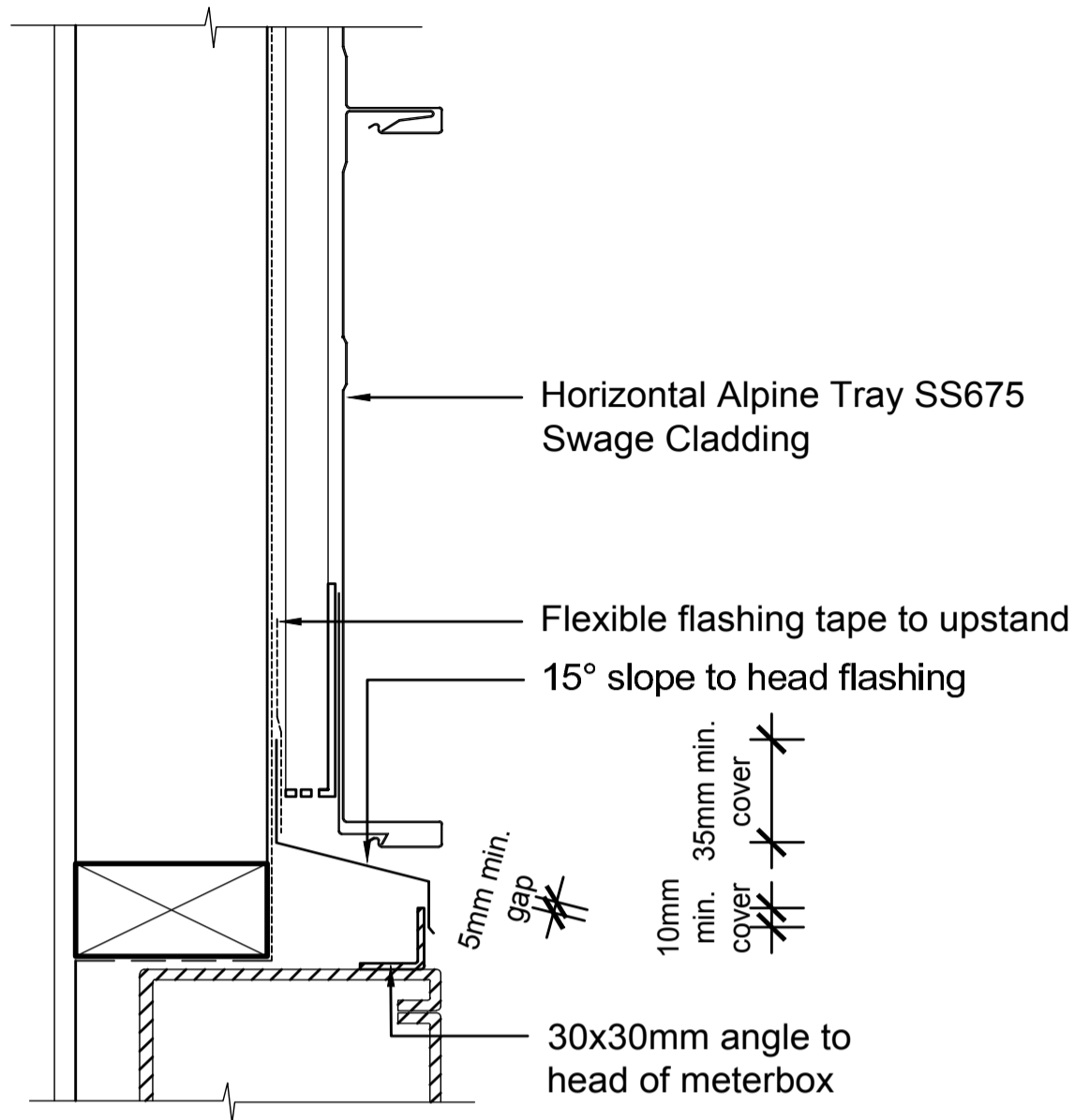
Alpine Tray - Horizontal SS675 Internal Corner



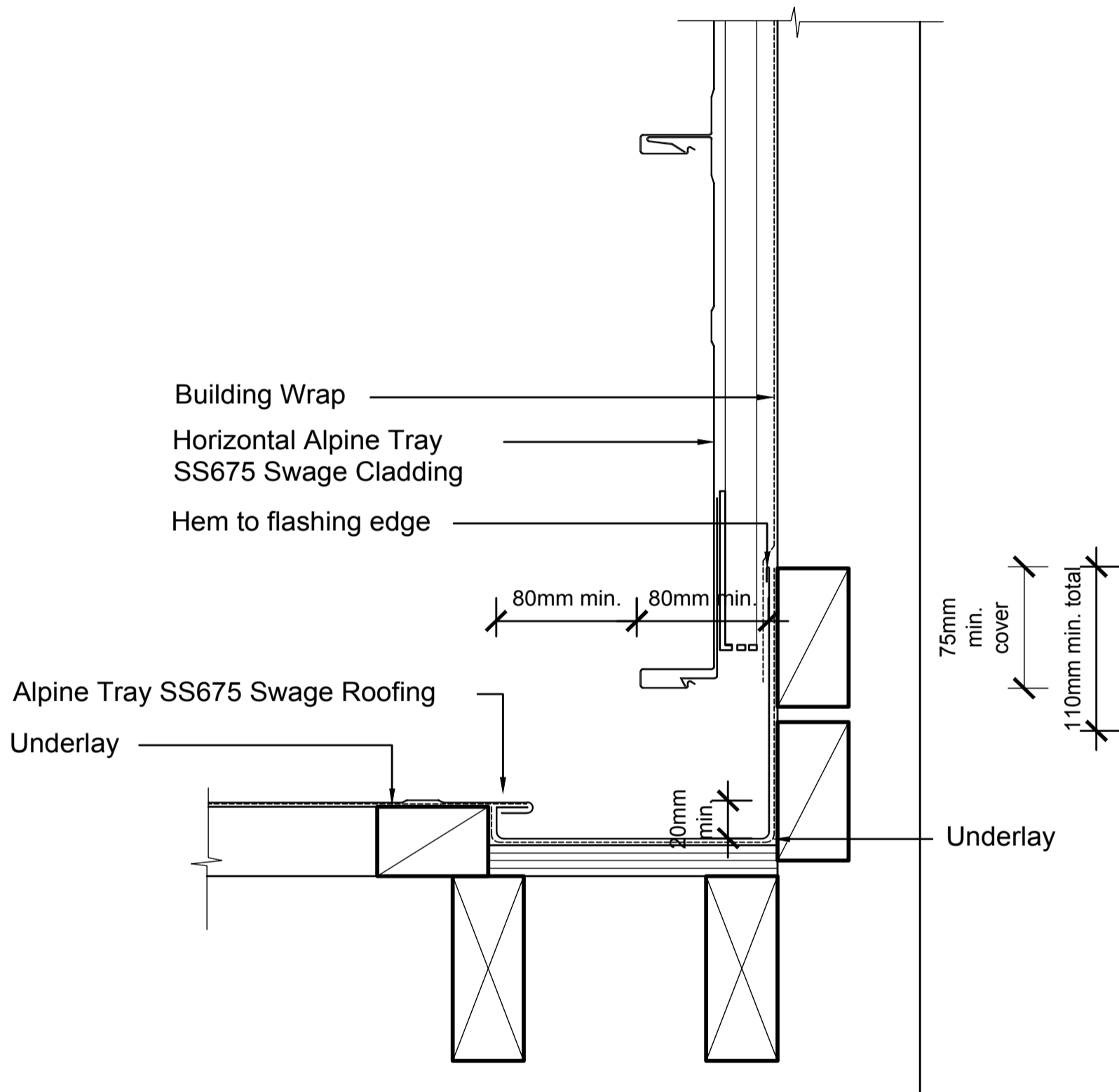
Alpine Tray - Horizontal SS675 External Corner



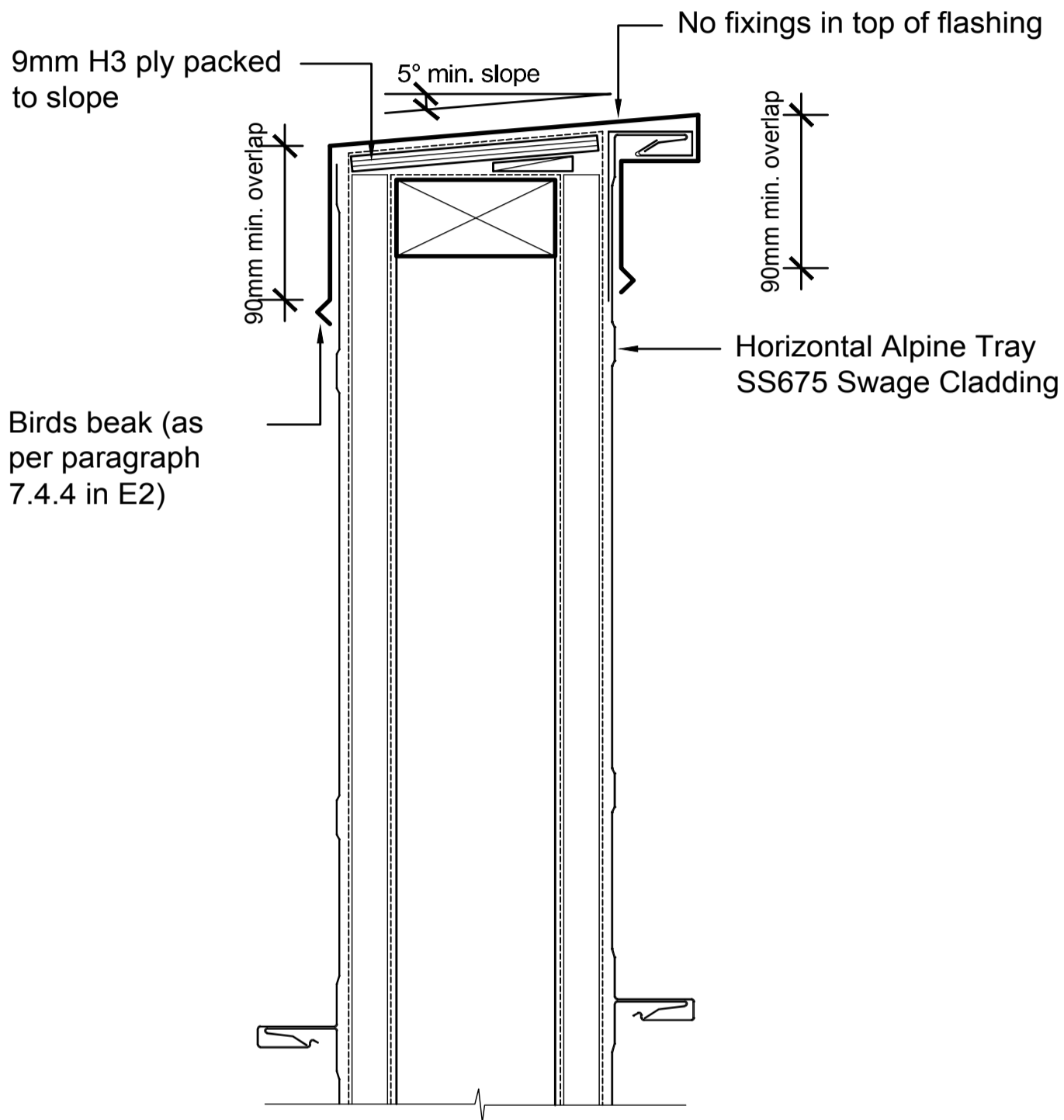
Alpine Tray - Horizontal SS675 Pipe Penetration



Alpine Tray - Horizontal SS675 Meterbox



Alpine Tray - Horizontal SS675 Hidden Gutter



Alpine Tray - Horizontal SS675 Parapet